

**Wash a broader range of  
spec aggregate product**

**GreyStone**

**Coarse Material Washers and  
Blade Mill Aggregate Washers**  
*Both Single & Twin Models*

# Coarse Material Washers & Blade Mill Aggregate Washers

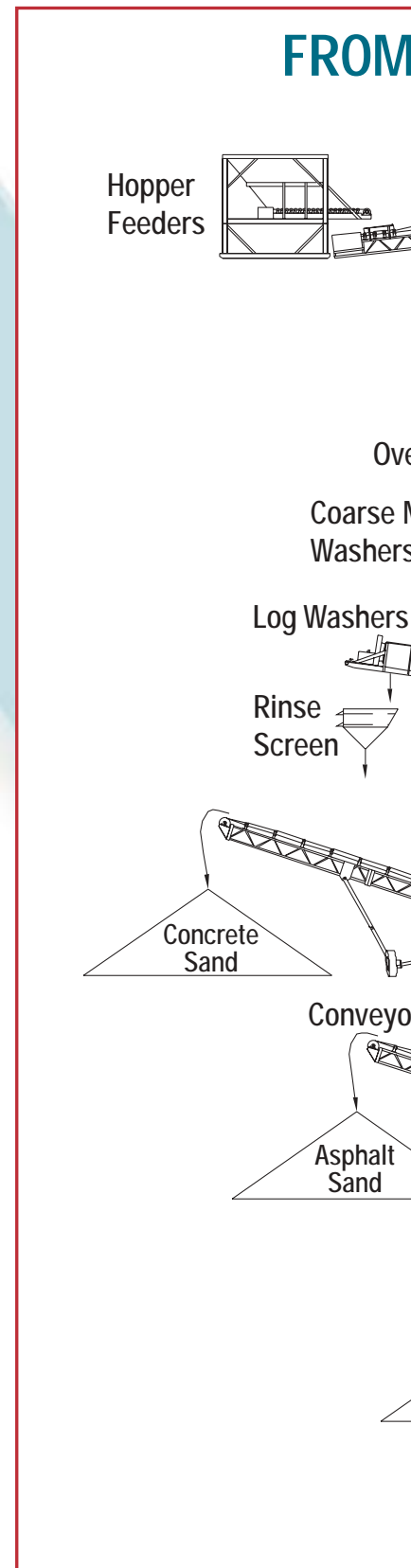
You can count on GreyStone Coarse Material Washers and Blade Mill Aggregate Washers to help you turn material washing problems into profitable solutions and meet the specification demands for multiple sand products.

Manufactured for years of dependable, operator-friendly service, GreyStone Coarse Material Washers and Blade Mill Aggregate Washers allow producers to wash a broader range of spec aggregate product sizes. Only GreyStone Coarse Material Washers are capable of washing aggregate up to a maximum of 3.5 inches, while GreyStone Blade Mill Aggregate Washers thoroughly scrub and wash aggregate material up to 2 inches. Mud and soluble clay will be washed from your gravel by the abrading of the aggregate and washing action of your GreyStone Blade Mill.

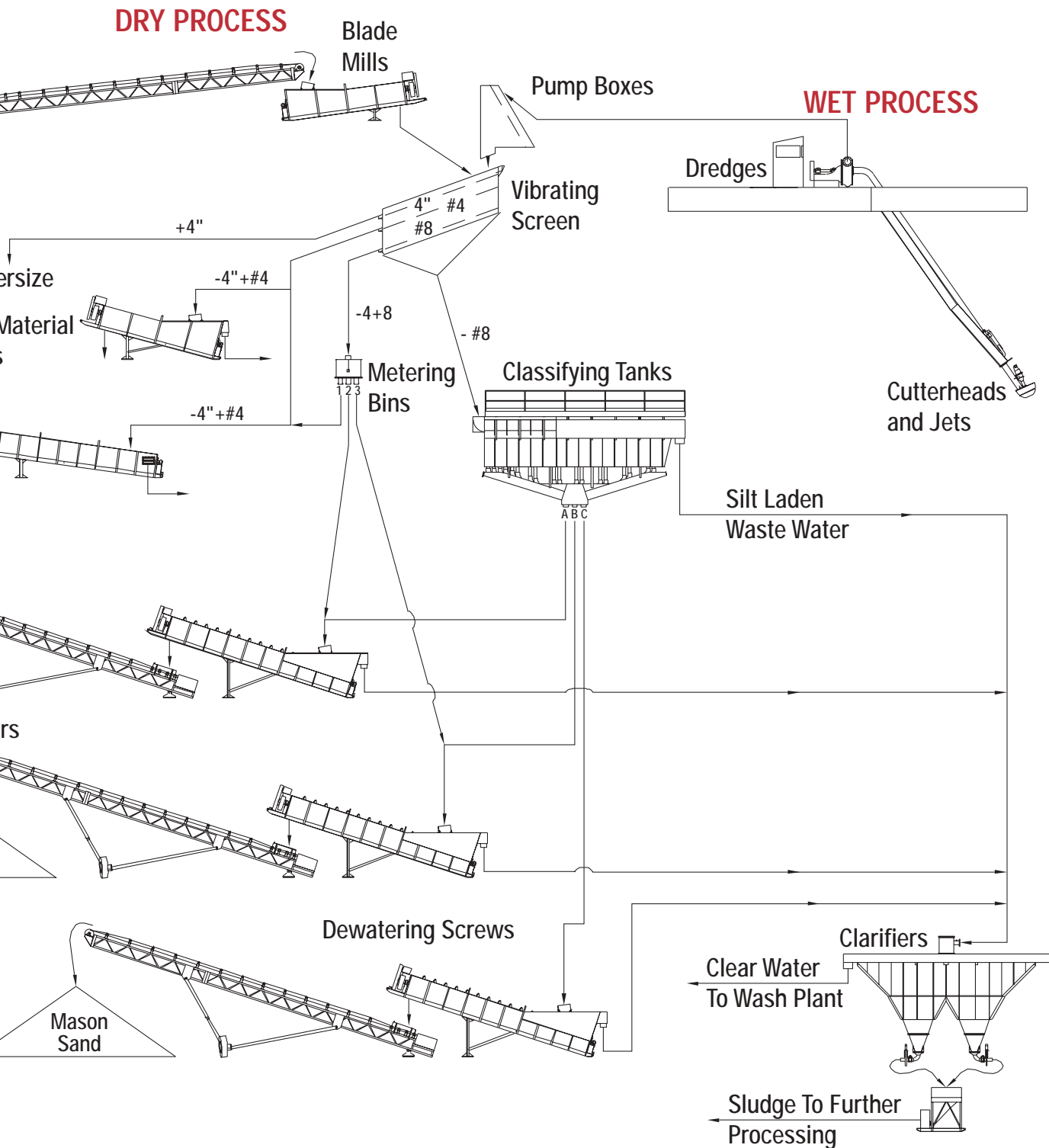
## Customized Designs

With GreyStone's 30 different classifier configurations and the capability to supply all your washing and classifying equipment needs – from hoppers and feeders to log washers, fine material washers, screens, conveyors and clarifiers – GreyStone can custom-design a complete operation to meet your specific application and production requirements. Single or twin models offer a variety of sizes, overflow water capacity and production levels as high as 500 TPH for a twin coarse material washer and 1100 TPH for a twin dewatering screw unit. GreyStone washers are constructed of high-quality ASTM A36 structural steel for years of trouble-free service life.

All GreyStone units are built with a dedication to innovative design and quality workmanship unmatched in the industry. Whatever the application, GreyStone has the knowledge and experience, equipment and operating software programs for you to reach your production goals. Send us a sample of your pit run material for a FREE sieve analysis and recommendation from your GreyStone experts.



# COMPLETE OPERATIONS TO SPECIFIC EQUIPMENT



# Coarse Material Washer Specifications



SINGLE UNITS								
Size	Screw Diameter	Tub Length	Tons per Hour*	RPM	Horse Power	Max. Mat. Size**	Water Req. GPM	Empty Est/ Weight (lbs)
24" x 18'	24"	18'	60-75	40	15	1.5"	300-400	8,000
30" x 18'	30"	18'	100-125	35	20	2"	300-500	9,000
30" x 24'	30"	24'	100-125	35	25	2"	250-500	10,700
36" x 18'	36"	18'	150-175	30	25	3"	400-600	11,300
36" x 28'	36"	28'	150-175	30	30	3"	400-600	14,500
44" x 20'	44"	20'	200-250	26	30	3"	500-750	15,000
44" x 32'	44"	32'	200-250	26	50	3"	500-750	19,300
48" x 24'	48"	24'	220-275	24	40	3.5"	550-825	21,500
TWIN UNITS								
Size	Screw Diameter	Tub Length	Tons per Hour*	RPM	Horse Power	Max. Mat. Size**	Water Req. GPM	Empty Est/ Weight (lbs)
30" x 18'	30"	18'	200-250	35	(2)-20	1.5"	500-700	13,700
30" x 24'	30"	24'	200-250	35	(2)-25	2"	600-1000	19,300
36" x 18'	36"	18'	250-300	30	(2)-25	3"	700-1200	17,000
36" x 28'	36"	28'	250-300	30	(2)-30	3"	700-1200	23,000
44" x 20'	44"	20'	450-500	26	(2)-30	3"	1000-1500	28,500
44" x 32'	44"	32'	450-500	26	(2)-50	3"	1000-1500	36,600
48" x 24'	48"	24'	450-550	24	(2)-40	3.5"	1100-1650	39,600

- \* All specifications are based on the use of electric motors and on the processing of gravel. Throughput capacities are approximate and will vary depending on the type of material, moisture, content, amount of fines in the feed, plant feed efficiency and equipment maintenance. No plant capacity projections used here are guaranteed due to these variables. Tonnage capacity tables are based on peak operation of the unit (100 lbs per cubic foot of aggregate).
- \*\* All measurements are in reference to the longest lengths.

For illustrating product features, machines may be shown without standard-equipped safety guards. All design dimensions are subject to change without notice.

# Blade Mill Aggregate Washer Specifications

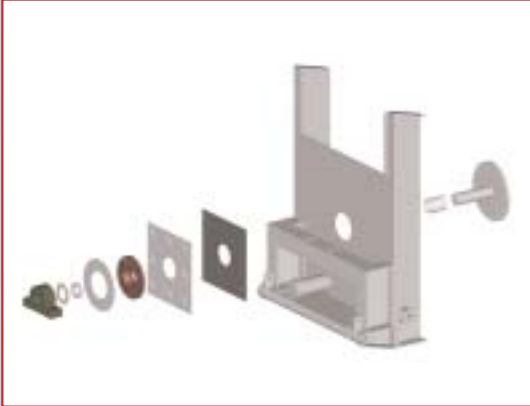
SINGLE UNITS									
Size	Screw Diameter	Tub Length	Angle	Angle	RPM	Horse Power	Max. Mat. Size**	Water Req. GPM	Empty Est/ Weight (lbs)
			Tons per Hour*	Tons per Hour*					
24" x 18'	24"	18'	4° - 0°	8° - 4°	40	15	1.5"	50-500	7,800
			80 - 110	60 - 75					
24" x 24'	24"	24'	4° - 0°	8° - 4°	40	20	1.5"	50-500	8,800
			80 - 110	60 - 75					
30" x 18'	30"	18'	4° - 0°	8° - 4°	37	20	2"	75 - 550	9,000
			135 - 165	100 - 125					
30" x 24'	30"	24'	4° - 0°	8° - 4°	37	25	2"	75 - 550	10,800
			135 - 165	100 - 125					
36" x 18'	36"	18'	4° - 0°	8° - 4°	30	25	3"	100 - 600	11,400
			200 - 250	150 - 175					
36" x 28'	36"	28'	4° - 0°	8° - 4°	30	30	3"	100 - 600	14,000
			200 - 250	150 - 175					
44" x 20'	44"	20'	4° - 0°	8° - 4°	26	30	3.5"	150 - 750	16,000
			250 - 335	200 - 250					
44" x 32'	44"	32'	4° - 0°	8° - 4°	26	50	3.5"	150 - 750	19,500
			250 - 335	200 - 250					
48" x 24'	48"	24'	4° - 0°	8° - 4°	24	40	3.5"	200 - 850	21,500
			275 - 360	220 - 275					
TWIN UNITS									
Size	Screw Diameter	Tub Length	Angle	Angle	RPM	Horse Power	Max. Mat. Size**	Water Req. GPM	Empty Est/ Weight (lbs)
			Tons per Hour*	Tons per Hour*					
30" x 18'	30"	18'	4° - 0°	8° - 4°	35	(2) 20	2"	150 - 800	14,700
			250 - 300	200 - 250					
30" x 24'	30"	24'	4° - 0°	8° - 4°	35	(2) 25	2"	150 - 800	19,300
			250 - 300	200 - 250					
36" x 18'	36"	18'	4° - 0°	8° - 4°	30	(2) 25	2"	200 - 1200	17,800
			300 - 350	250 - 300					
36" x 28'	36"	28'	4° - 0°	8° - 4°	30	(2) 30	3"	200 - 1200	23,000
			300 - 350	250 - 300					
44" x 20'	44"	20'	4° - 0°	8° - 4°	26	(2) 30	3.5"	300 - 1500	30,100
			500 - 600	450 - 500					
44" x 32'	44"	32'	4° - 0°	8° - 4°	26	(2) 50	3.5"	300 - 1500	36,600
			500 - 600	450 - 500					
48" x 24'	48"	24'	4° - 0°	8° - 4°	24	(2) 40	3.5"	400 - 1600	39,600
			575 - 720	440 - 575					

\* Tons per hour will vary depending upon the degree of incline in which your Blade Mill Aggregate Washer is installed. The degree of incline will regulate your washing action and tons/hour produced.

\*\* All measurements are in reference to the longest lengths.

All specifications are based on the use of electric motors and on the processing of gravel. Throughput capacities are approximate and will vary; a high percentage of the maximum-sized material or crushed stone will reduce the plant capacity. Tonnage capacity tables are based on peak operation of the unit.

# Coarse Material Washers & Blade Mill Aggregate Washers



## Lower Stub Assembly

GreyStone's exclusive adjustable screw shaft allows you to control the clearance between the belly pan and the screw flights and accommodates up to 3.5 inches in the Coarse Material Washer and 2 inches in the Blade Mill Aggregate Washer. The heat-treated shaft is fitted into a stainless steel wear sleeve and fitted with a heavy-duty rubber gasket that fits snugly between the seal retainer and tub. A specially designed slinger fits perpendicular to the shaft between the roller bearing and sleeve and turns with the shaft, adding protection to the outboard bearing and preventing bearing failure that may occur from seal leakage.

On the Blade Mill Aggregate Washers, the grease fittings are conveniently located on the outside of the tub. The standard off-the-shelf lower bearings can be lubricated while in operation.



## Motor and Drive Assembly

On the Coarse Material Washer and the Blade Mill Aggregate Washer, the shaft-mounted gear reduction is totally enclosed within an oil-bath gearbox. Designed for easy service and maintenance, you can tailor the washing action of your material with a simple change of the drive pulley on the motor. All standard electric motors are 230/460 volt, 3-phase, 60 cycle.

GreyStone uses standard off-the-shelf, fully enclosed Falk or Dodge gear-box drive units, which can be serviced in all metropolitan cities.



## Torque Arm Speed Reducers

In the Coarse Material Washer and the Blade Mill Aggregate Washer, GreyStone uses leading shaft-mounted speed reducers. Rugged cast iron provides a corrosion-resistant housing for positive gear alignment. The helical design of the gear teeth has a soft core that resists shock loads and provides a 98.5 percent efficiency rating per gear set. In order to keep dirt and grime out and oil in, the reducers are sealed with metallic double-lip seals. All this ensures a torque arm speed reducer with long life and trouble-free service.



## Rising Current Belly Pan

In the Coarse Material Washer and the Blade Mill Aggregate Washer, rising current water enters the pool from the bottom of the perforated belly pan and filters up, separating fines, dirt and other extraneous matter that is then carried to the top and forced out with the overflow. The curved design on the Coarse Material Washer increases production by preventing sand from piling up and coming out in lumps or surges.

## Steel Shaft and Flights

On the Coarse Material Washer and the Blade Mill Aggregate Washer, the spiral-type, half-pitch steel screw flights are welded to the heavy tubular steel shaft. Each spiral is placed on the shaft and adjusted by hand to ensure a uniform spiral for better material distribution.

On the Coarse Material Washer, the 2nd and 3rd screw flights are replaced with heavy-duty Ni-Hard paddles. For tougher washing requirements, more paddles can be added to the screw shaft by replacing the 5th and 6th screw flights so that the material that is fed into the washer will be retained longer in the scrubbing area for more thorough cleaning. However, this will reduce washing capacity and increase horsepower requirements.



*Coarse Material Washer Shaft*

## Adjustable Wear Shoes

Bolt-on, replaceable, heavy-duty, 1-inch thick cast Ni-Hard shoes can be adjusted 3/4 inch for years of additional service life. Ni-Hard wear shoes are standard on all GreyStone Coarse Material Washers and Blade Mill Aggregate Washers.

## Large Heavy-Duty Tub

Constructed of ASTM A36-certified, heavy-duty 1/4-inch thick steel plate with angle iron skid frame, these units are strong and designed to provide years of maintenance-free service on Coarse Material Washers and Blade Mill Aggregate Washers. GreyStone tubs are welded construction and have a heavy belly plate that is curved to fit tightly to the screw shaft. During operation, this feature keeps sand from slipping back and will maintain your production level.

GreyStone also offers Blade Mill Aggregate Washers with a long tub design that comes standard with an easily adjustable, removable, side-mounted water weir. This feature allows you to remove or add gates to adjust your water level within the tub, and may also be used to allow the aggregate to dewater after it has moved out of the pool area. You can tailor the washing action to your specific aggregate requirements and, in some operations, the longer tub will eliminate the need for a dewatering screen as the aggregate is discharged.

## Other Standard Components on the Coarse Material Washer and the Blade Mill Aggregate Washer:

**External Pillow Block Bearings** – standard off-the-shelf items externally mounted for ease of maintenance.

**Clean Out Drain** – easy access, clean-out valve is provided for complete draining of the reservoir.

**Exclusive Heavy-Duty Skid Frame** – allows you to skid the unit into proper operating position and adds to the overall structural integrity.

## Optional Components Available on Blade Mill Aggregate Washers:

**Support legs from 2° to 10°**

**Large heavy-duty long tub to tailor the washing action of your aggregates**  
(standard on Coarse Material Washers )

# One Company. One Focus. Great Results.

*That's What You Get From* **GreyStone.**



## Individual Equipment To Complete Customized Washing & Classifying Operations

At GreyStone, we have the industry's most experienced people in washing & classifying application solutions, systems & controls engineering and field service. And when we combine this depth of experience with the most complete, proven product line in the business, your challenges quickly become opportunities.

Portable & Semi-Portable Washing/Screening Plants  
Single & Twin Fine Material Dewatering Screws  
Single & Twin Coarse Material Washers  
Log Washers  
Sand Classification Tanks & Systems

Advanced Computer Control Systems  
Portable Sand Plants  
Water Clarifiers  
Rotary & Vibrating Screens  
Portable Conveyors & Radial Stackers

Blade Mills  
Portable Screening Plants  
Twin Jets  
Cutter Heads  
Aggregate Reclaiming Systems

---

**888-346-WASH**

---

**One Company. One Focus. Great Results.**

**GreyStone**